


CAUTION

Wiring multiple zones in parallel
Some actuators are not suitable for wiring in parallel due to feedback from actuator. Please check with your damper manufacturer to ensure your actuators are suitable for parallel connection.

		<h1>Installation Drawing</h1>	
Drawing Revision History			Drawing Name
			Easy Zone Selector Pad with 24V Belimo Actuator
27-06-2008	Rev E	By JK	
15-03-2004	REV C	By: JK	
Smart Temp			<small>Ph: (03) 9763 0094 Fax: (03) 9763 0098 www.smart-temp.com.au</small>

All care has been taken in the preparation of this drawing however Smart Temp Australia accepts no responsibility for damage that may be caused by using this information. This is a guide only.

Easy Zone 2 Zone Selector Panel

General Description

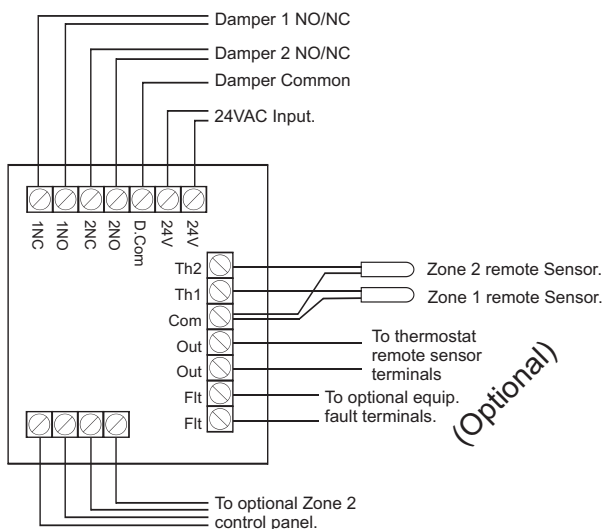
Stricter requirements for energy usage requires homes to be more energy efficient. To meet these new energy conservation demands Smart Temp have developed the Easy Zone, an inexpensive way to manually switch two zones.

The Easy Zone from Smart is used in conjunction with a standard thermostat such as the Smart Temp 42-157 or our Slimline series thermostat and is based on the "KISS" principal of operation. It has only one button for the home owner to use, the Zone Select button. With each press of the Zone Select button the Easy Zone will toggle between Zone 1 Active, Zone 2 Active and then both zones active. A Bright LED indicates each active zone.

The Easy Zone will control any 24V Zone dampers. If using a Smart Temp thermostat with remote sensor capability such as the Smart Temp Slimline thermostat the Easy Zone will also switch temperature sensing locations as well as dampers - ensuring even temperature control. (When both zones are selected the Easy zone will average the temperature in each zone)



Typical Wiring



For added flexibility, a remote Easy Zone module can be installed in the second zone so the selection of active zones can be controlled from either or both zones if required.

Best of all, the Easy Zone is price competitive with the Standard "Clipsal" wall plate / light switch with considerable less wiring required, plus with the Easy zone, you cant close both zones simultaneously so there are no more blown ducts or damaged equipment to worry about.

The Easy Zone is available in a horizontal or vertical configuration to fit all decor. We are also able to customize the product for project quantities if required.

Features

- ! Simple To Use and Install 2 Zone Control damper control.
- ! Low Cost, fail safe solution to manual Zone Control.
- ! Interlocked to prevent damage to system / ducts by closing both zones.
- ! Switches both Dampers & Temp sensing zones if required (optional).
- ! Simple, one Button Operation - KISS.
- ! Operates all 24V Dampers.