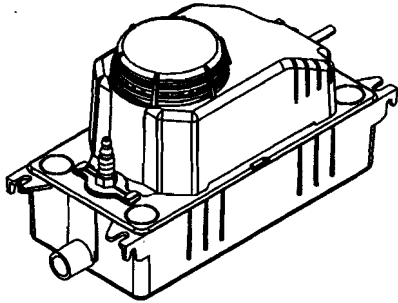


USER MANUAL

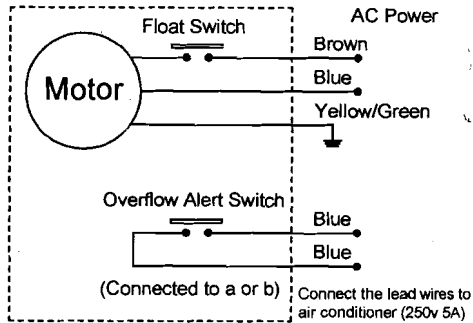
■ MODEL NO : STP05



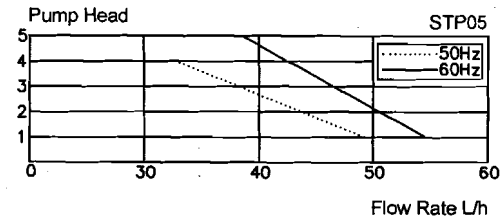
■ SPECIFICATION

| Item | Model | STP05 |
|-------------------|-------|--------------------------------|
| Rating | | 220V 50/60Hz |
| Max. Pump Head | | 5/6M |
| Power Consumption | | 58/55W |
| Check Valve | | Concealed inside |
| Inlet Up/Side | | 5/8"Inner size/3/4"Inner size |
| Outlet | | 3/8"Inner size 4m/m Inner size |
| Size | | 250*140*110 |

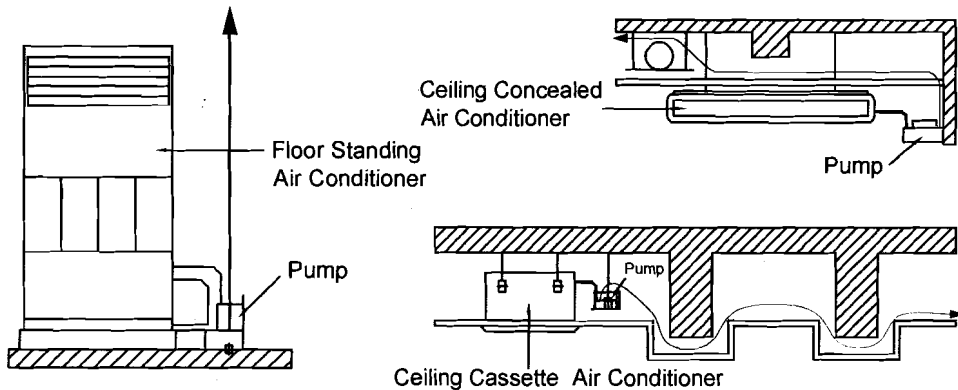
■ WIRING DIAGRAM



■ FLOW RATE CHART



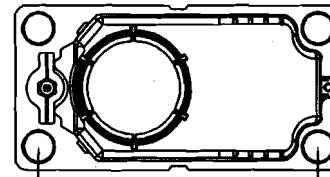
■ AIR CONDITIONER APPLICATIONS



PIPE CONNECTION

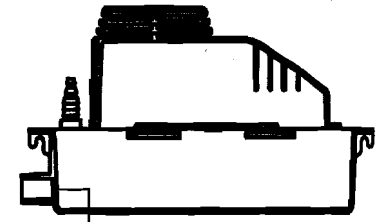
■ INLET CONNECTION

(1) From Upper Hole

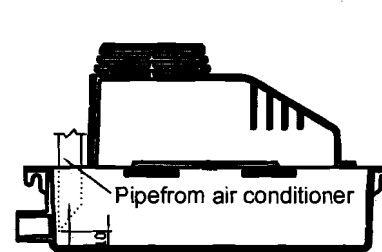


4 Upper Holes (Select one of them and break the seal with tool)

(2) From Side Pipe

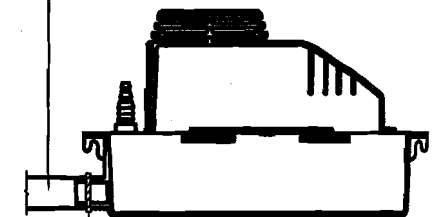


One side pipe: Break the seal inside with tool Only when choosing the inlet from the side



Cut the end of the Pipe (45° of angle) to prevent blocking and the clearance between the container is more than 10mm

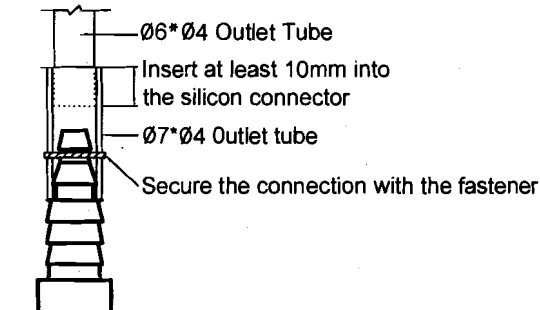
Select 3/4" inch of connecting Pipe



Secure the connection with the fastener

■ OUTLET CONNECTION

(1) If Choosing Ø6*Ø4 Hard Outlet Tube-



(2) If Choosing Ø3/8 inches of Outlet Tube

