

# SMT - 10

## Mechanical Heat Only Thermostat

### Congratulations on the purchase of your new Electronic Thermostat!

Your new Smart Temp SMT thermostat has been built using the best components and design philosophy. As a consequence of this, if properly installed your new thermostat will provide you with many years of trouble free and reliable service.

The Smart Temp SMT has been designed to be attractive, highly reliably and simple to use. Please take the time to read these simple instruction to familiarise yourself with the function and features offered in this product.



## Installation

Remove the front of the thermostat by gently pressing down the locking clip (diag 1) and moving the front of the thermostat away from the mounting base. Be careful NOT to remove the dial from the thermostat as this may effect the thermostat accuracy if it is not placed back on in the exact same position.

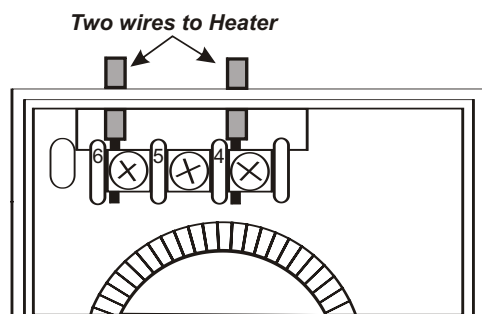
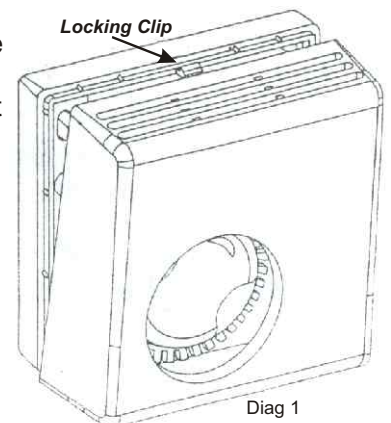
Select a suitable mounting position for the SMT 10 thermostat. It should not be placed in any location that may be subject to drafts in the vicinity of any external heating or cooling sources. Where possible place the SMT thermostat on an inner wall.

The two wires from the heater should be placed in the two outside screw terminals on the backplate. Place the two wires from the heater through in the holes in the base plate and then position the base plate on the wall in such a way as it conceals any hole in the wall. Mount the baseplate using the two mounting holes shown (diag 2).

Clip the front of the thermostat back onto the base.

## Operation

Use the Off / On switch to turn the thermostat off or on.  
Adjust the main dial to select a desired heating temperature.  
You may hear a slight "Click" as the thermostat turns the heating on or off.



## Specifications

Contact rating	10Amps @ 240 v
Temp Range	5 ~ 30c
Deadband	0.7c aprox
Protection	IP 20
# Cycles	100,000+
Warranty	12mts RTB

